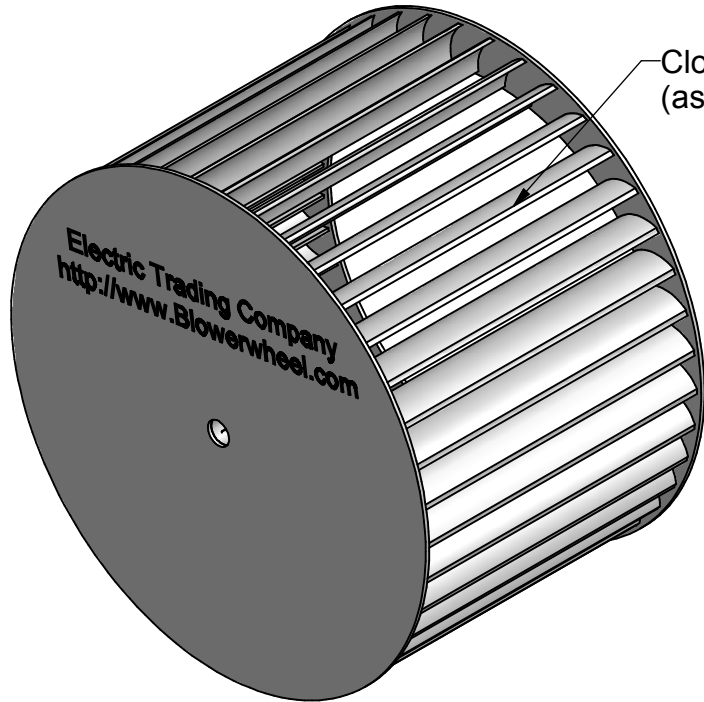


2



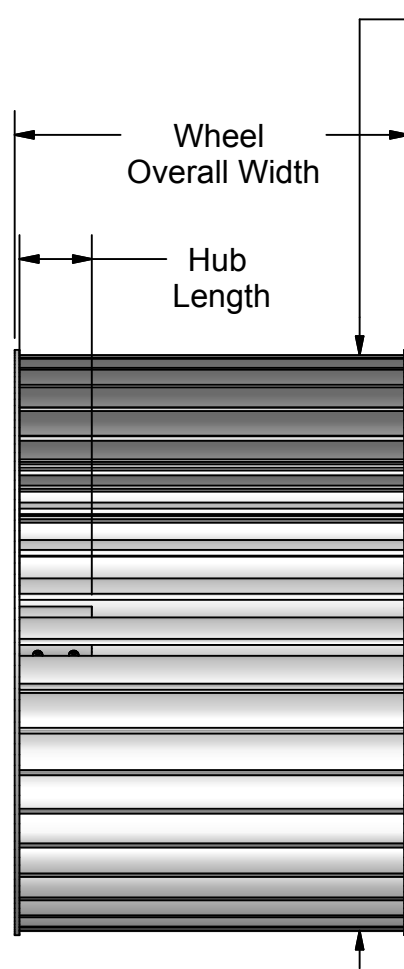
1



Clockwise Rotation
(as viewed from closed end)

Note: Keyways must be specified.
Specify either without one (none), with one per our standard keyway chart (std) or as custom

B



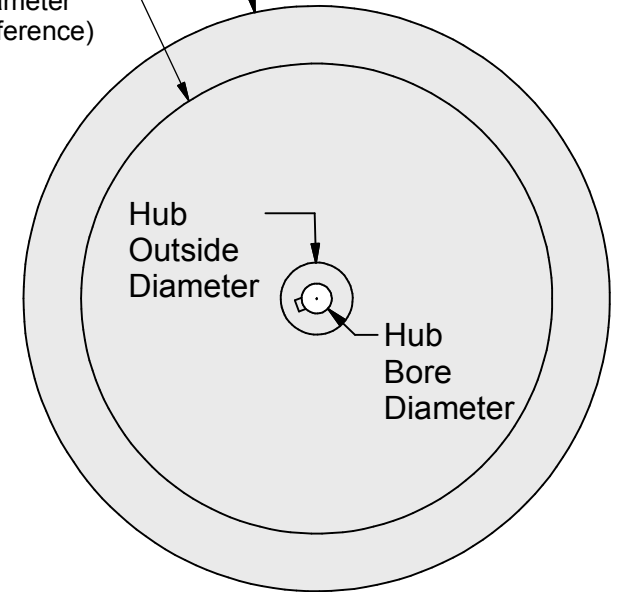
Wheel Vane O.D.
(reference)

Wheel Overall Width

Hub Length

Wheel Inside Diameter
(reference)

Wheel Outside Diameter



Hub Outside Diameter

Hub Bore Diameter

B

Single Inlet Forward Curve Blower Wheel with Inside Hub - Clockwise Rotation

Drawing Callout	Dimension / Specification
Wheel Outside Diameter	
Wheel Overall Width	
Hub Bore Diameter	
Wheel Material / Finish	
Hub Material / Finish	
Optional Specs / Items:	
Hub Length / Set Screw Qty	
Keyway (None, Std, Custom)	
Rings	
Rods	
Advanced RPM rating	
Customer Approval By:	

A

A

Notice: Unless Otherwise Specified - All Dimensions are in Inches & Standard Commercial Tolerances Apply

© Copyright Electric Trading Company 2018



TITLE: Single Inlet FC Blower Wheel

DESCRIPTION: w/Inside Hub - Clockwise Rotation

SIZE DWG / PART NUMBER / REVISION:

A

APPROVED BY:

DATE:

DO NOT SCALE

SHEET 1 OF 1

2



1