

2

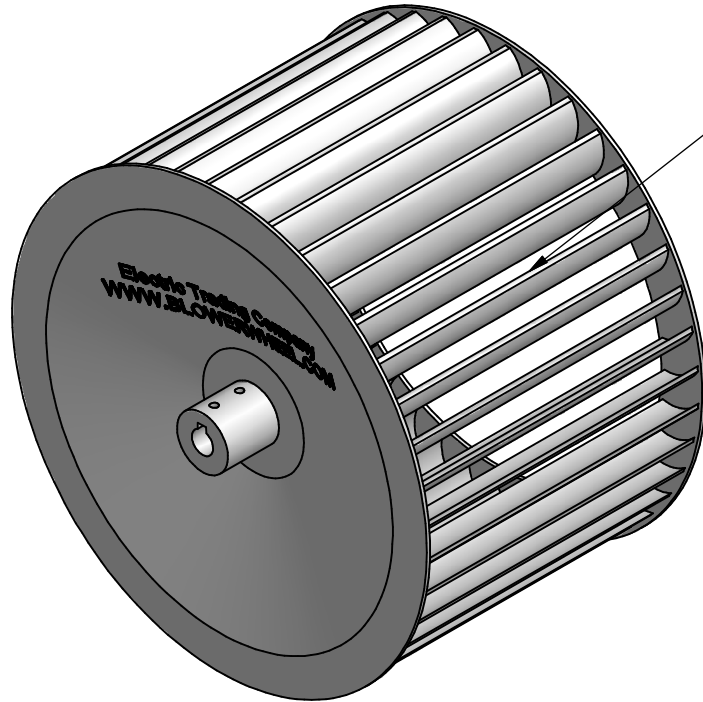


1

Counterclockwise
Rotation
(as viewed from closed end)

Note: Keyways must be specified.
Specify either without one (none), with one per
our standard keyway chart (std) or as custom

B

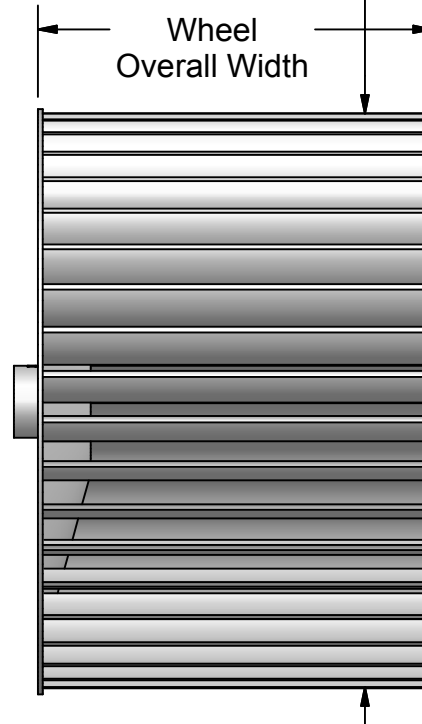


Single Inlet Forward Curve Blower Wheel
Concave w/Outside Hub - Counterclockwise Rotation

Drawing Callout	Dimension / Specification
Wheel Outside Diameter	
Wheel Overall Width	
Hub Bore Diameter	
Wheel Material / Finish	
Hub Material / Finish	
Optional Specs / Items:	
Hub Length / Set Screw Qty	
Keyway (None,Std,Custom)	
Rings	
Rods	
Advanced RPM rating	
Customer Approval By:	

Notice: Unless Otherwise Specified - All Dimensions are in
Inches & Standard Commercial Tolerances Apply

Wheel
Overall Width

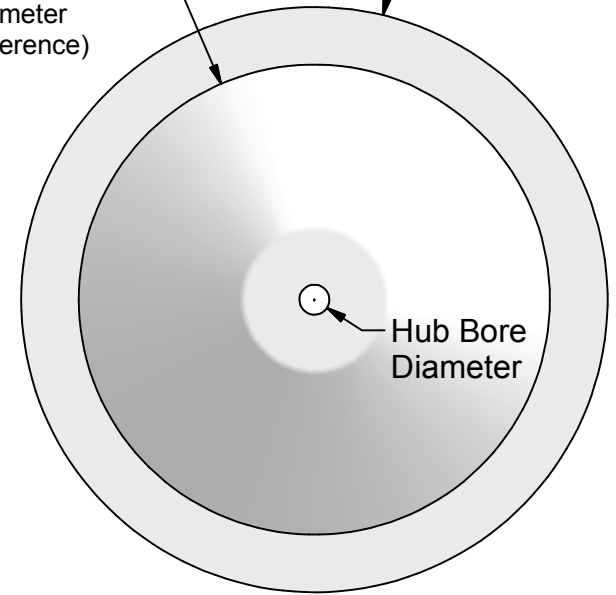


Wheel Vane O.D.
(reference)

Wheel
Outside
Diameter

Wheel Inside
Diameter
(reference)

Hub Bore
Diameter



© Copyright Electric Trading Company 2018



TITLE: Single Inlet FC Blower Wheel

DESCRIPTION: Concave w/Outside Hub - Counterclockwise

SIZE DWG / PART NUMBER / REVISION:

A

APPROVED BY:

DATE:

DO NOT SCALE

SHEET 1 OF 2

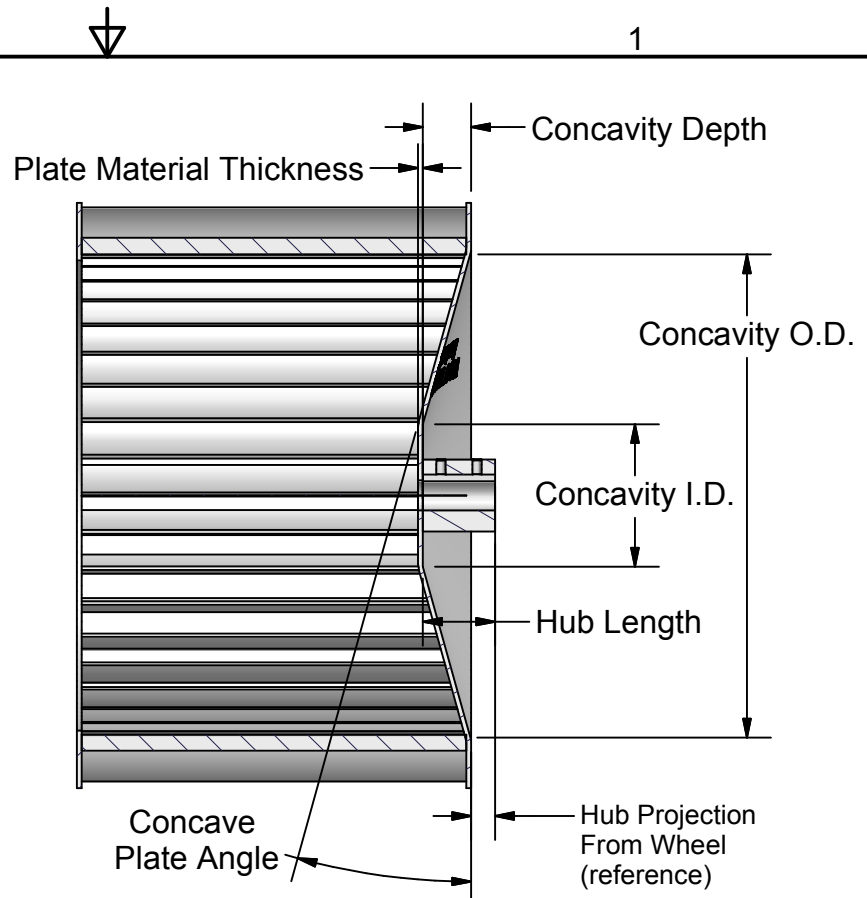
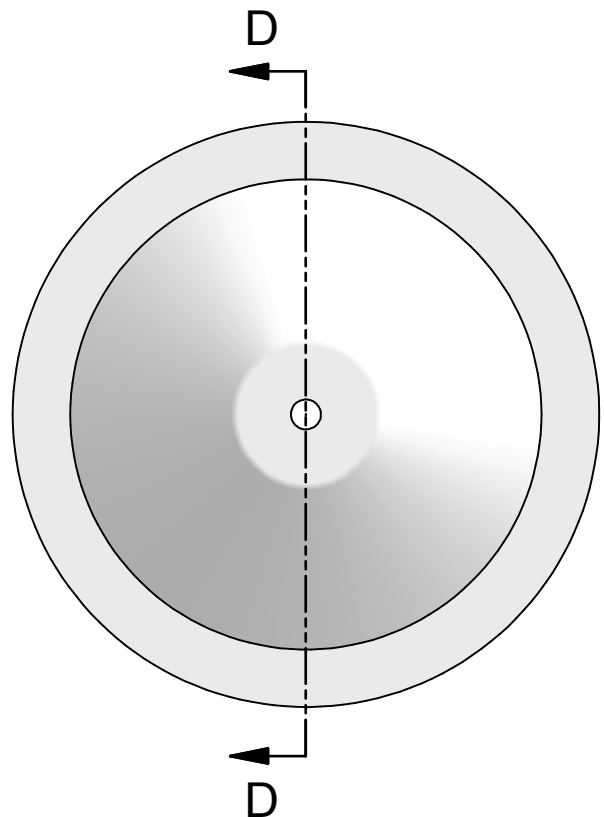
2



1

A

A



SECTION D-D

Note: Wheel Plate Concavity can be detailed as Concave Plate Angle or alternately detailed as a radius from concavity I.D. to concavity O.D.

Drawing Callout	Dimension / Specification
Concavity Depth	
Concavity O.D.	
Concavity I.D.	
Plate Material Thickness	
Concave Plate Angle	
or	
Concave Plate Radius	
Customer Approval By:	

Notice: Unless Otherwise Specified - All Dimensions are in Inches & Standard Commercial Tolerances Apply

© Copyright Electric Trading Company 2018



TITLE: **Single Inlet FC Blower Wheel**

DESCRIPTION: **Concave w/Outside Hub - Counterclockwise**

SIZE DWG / PART NUMBER / REVISION:
A

APPROVED BY:

DATE:

DO NOT SCALE

SHEET 2 OF 2